

6

5

4

3

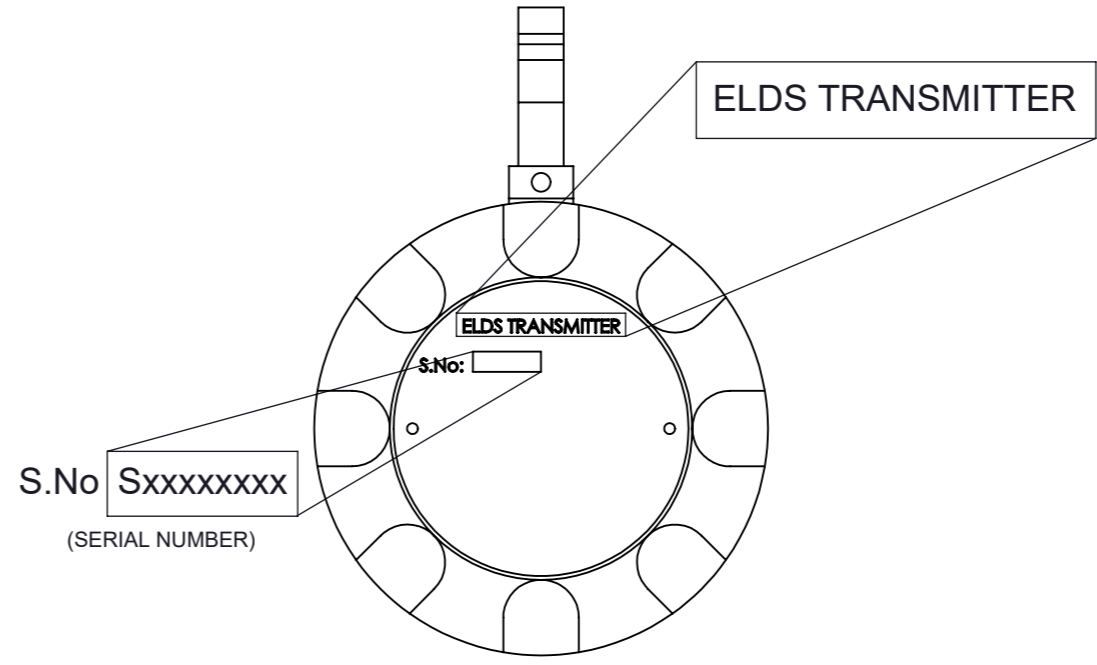
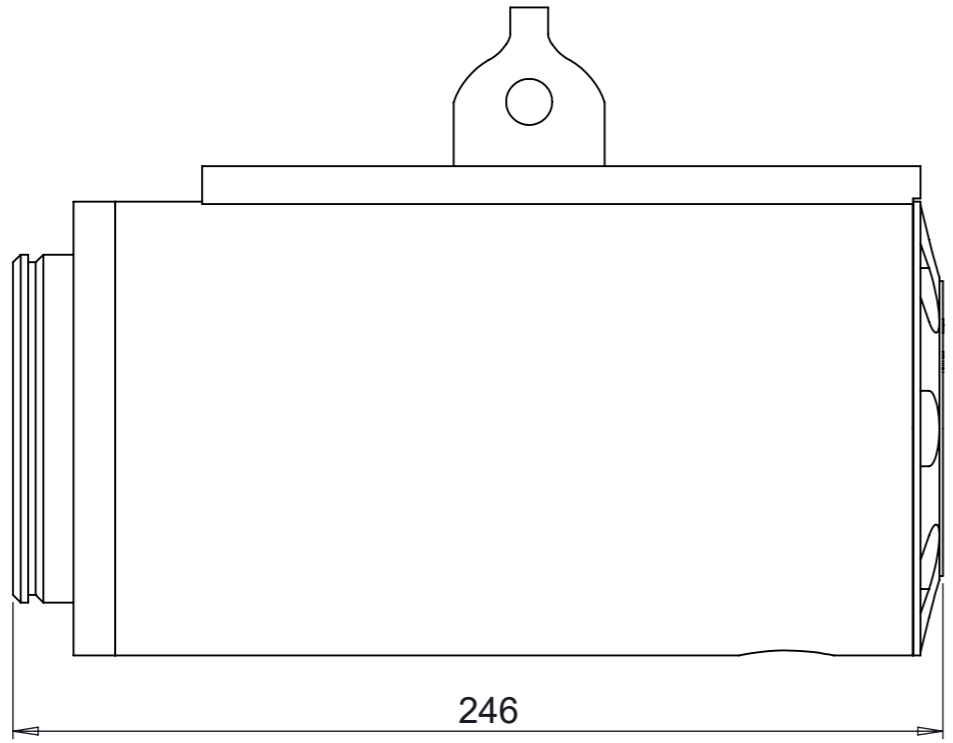
2

1

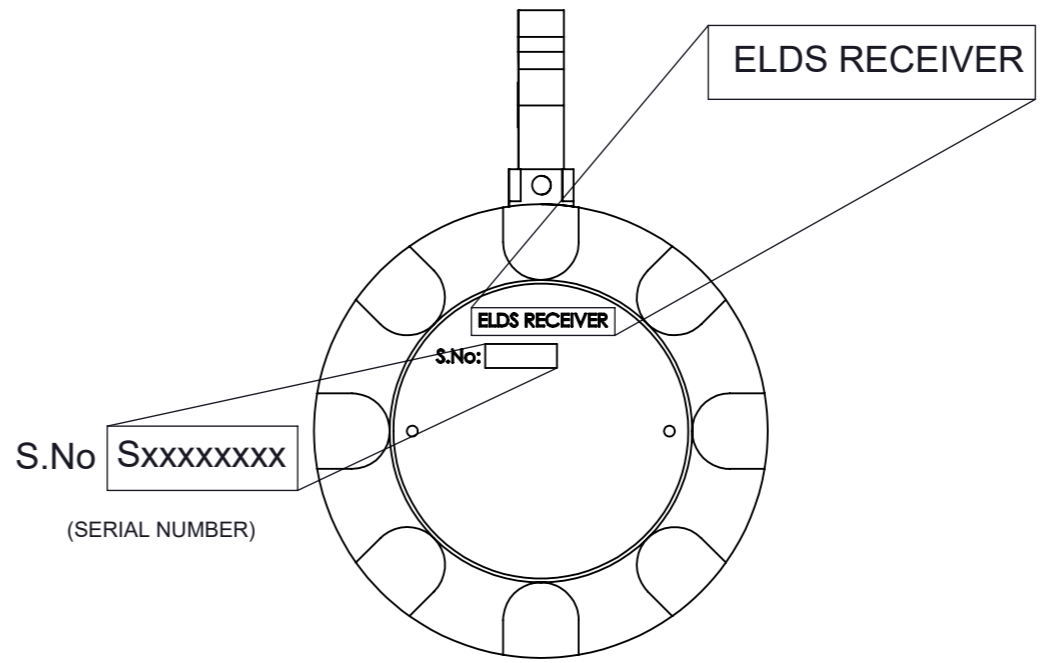
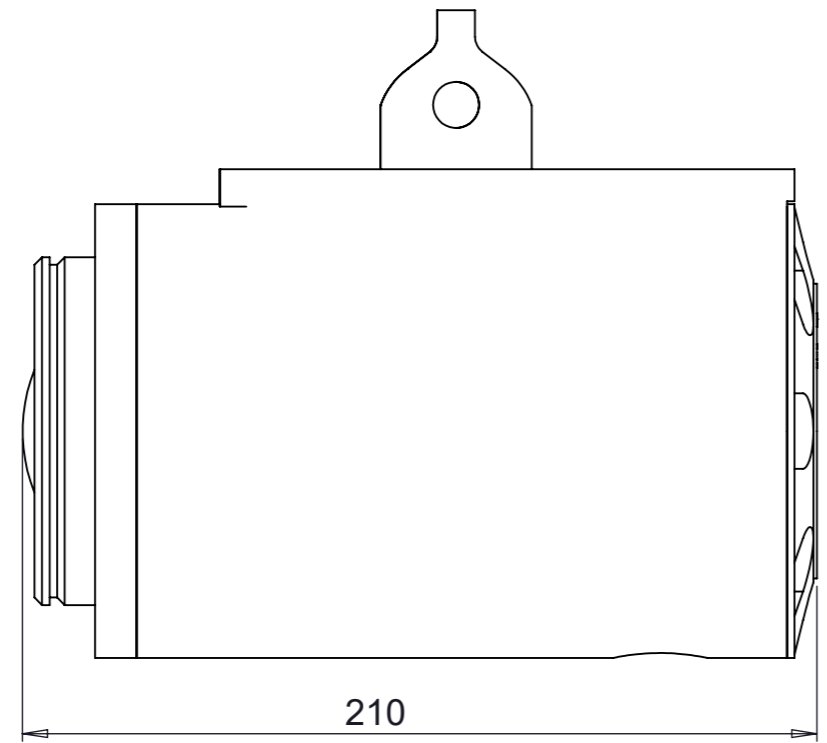
Revisions

Rev 2 - 25/7/18

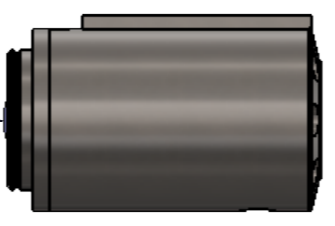
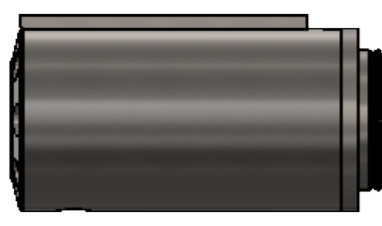
TX
(TRANSMITTER)



RX
(RECEIVER)



All Dimensions in mm unless stated



Path Length 0.5-5 m (MAX)

TX
(TRANSMITTER)

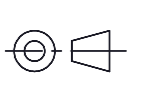
RX
(RECEIVER)

LIFE CYCLE STATE	REVISION
------------------	----------



www.MSAsafety.com

THIS DRAWING IS THE PROPERTY OF MSA/THE SAFETY COMPANY AND IS MADE AVAILABLE TO YOU IN CONFIDENCE AND SUBJECT TO THE FOLLOWING: NO LENDING, NO PERMISSION IS GRANTED TO PUBLIC USE, REPRODUCE, TRANSMIT OR DISCLOSE. THIS DRAWING IS A PROPERTY OF MSA/THE SAFETY COMPANY AND IS NOT TO BE REPRODUCED OR TRANSMITTED IN ANY FORM OR BY ANY MEANS, WITHOUT THE PRIOR WRITTEN CONSENT OF MSA/THE SAFETY COMPANY, EXCEPT FOR THE MANUFACTURE OF PARTS FOR MSA/THE SAFETY COMPANY, COMPANY.



DO NOT SCALE DWG.

MSA STANDARD SHOP PRACTICES APPLY

CRITICAL	MAJOR A	MAJOR B	100% INSPECTION	MINDR (NO MARK)
△	△	△	△	△

JOB NO.	DATE
DRAWN BY	25/7/18
CHECKED BY	25/7/18
PROJECT ENGR.	25/7/18
QUALITY ASSURANCE	25/7/18
MANUFACTURING	25/7/18

APPROVAL AGENCY CODE	NOSH ATTR. DOC.
----------------------	-----------------

**ELDS VZ (Ventilation Zone)
Installation Outline Drawings
General Arrangement**

METRIC TOLERANCES UNLESS OTHERWISE SPECIFIED (PER ISO 2768-MS)
0.5 TO 3mm ± 0.1
3 TO 6mm ± 0.2
6 TO 30mm ± 0.3
30 TO 100mm ± 0.5
100 TO 400mm ± 0.8
400 TO 1000mm ± 1.2
ANGULAR ± 1/2°
SEE MSA STANDARD SHOP PRACTICES FOR DRILLED HOLE TOLERANCES

SHEET SIZE	A3
------------	----

CADD REF: N/A

SHEET 1 OF 6

6

5

4

3

2

1

6

5

4

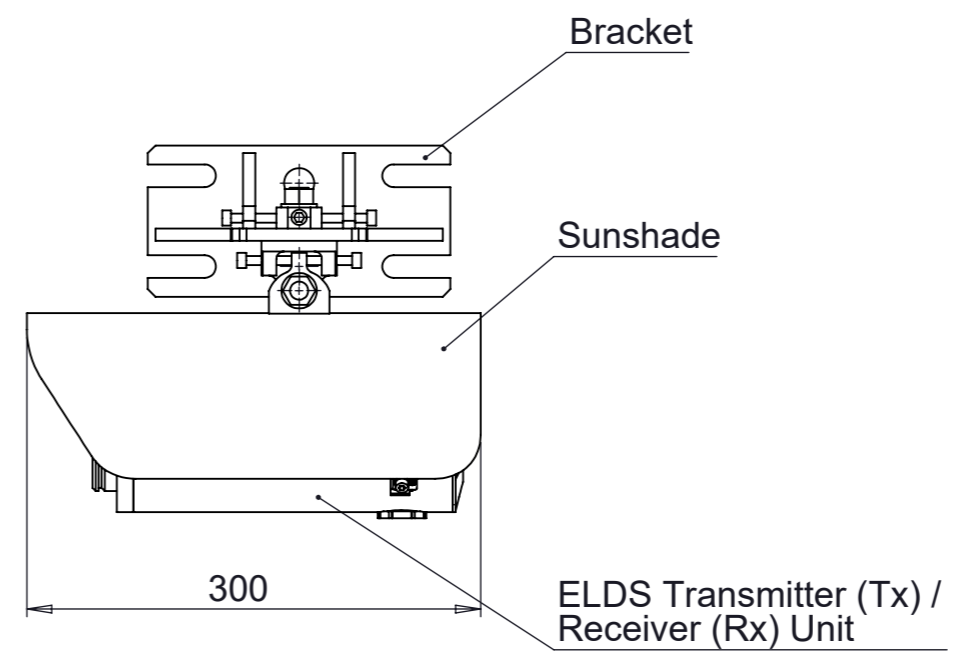
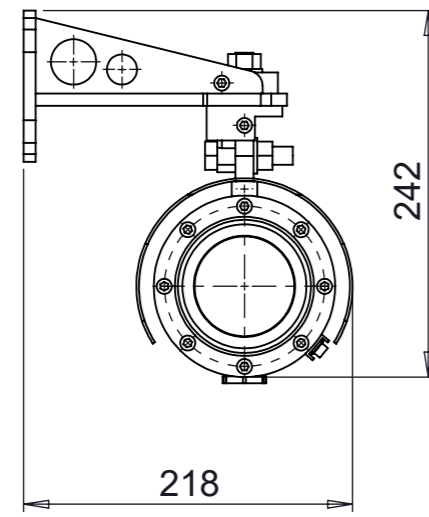
3

2

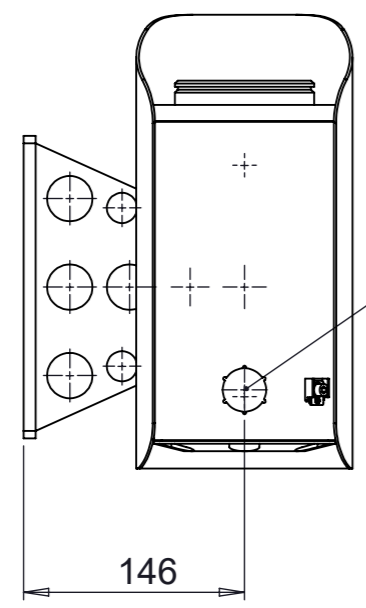
1

Revisions

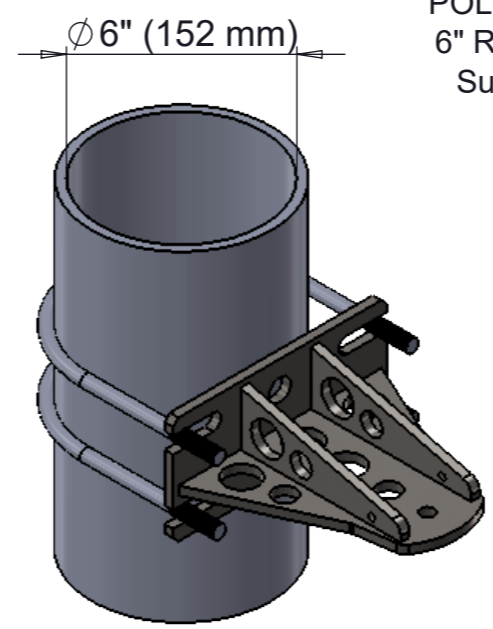
Rev 2 - 25/7/18



UNIT	WEIGHT (Kg)	MATERIAL
Bracket	3.05	SS 316
Sunshade	1.0	SS 316
Rx (Unit Only)	7.4	SS 316
Tx (Unit Only)	8.2	SS 316
Rx (Complete)	11.45	SS 316
Tx (Complete)	12.24	SS 316



Cable Entry (M25 or 3/4 NPT)



POLE MOUNTING
6" Recommended
Supports 4 - 6"

All Dimensions in mm unless stated

 The Safety Company		<small>THIS DRAWING IS THE PROPERTY OF MSA/THE SAFETY COMPANY AND IS MADE AVAILABLE TO YOU IN CONFIDENCE AND IS SUBJECT TO THE FOLLOWING: NO DISCLOSE, NO PERMISSION IS GRANTED TO PUBLISH, REPRODUCE, TRANSMIT OR DISSEMINATE. THIS DRAWING OR ANY INFORMATION CONTAINED THEREIN IS THE PROPERTY OF MSA/THE SAFETY COMPANY AND IS NOT TO BE REPRODUCED OR TRANSMITTED IN ANY MANNER WITHOUT THE WRITTEN CONSENT OF MSA/THE SAFETY COMPANY EXCEPT FOR THE MANUFACTURE OF PARTS FOR MSA/THE SAFETY COMPANY.</small>		 DO NOT SCALE DWG.	
<small>MSA STANDARD SHOP PRACTICES APPLY</small>		<small>JOB NO.</small> PDR		<small>APPROVAL AGENCY CODE</small>	
<small>DATE</small> 25/7/18		<small>CHECKED BY</small> LPR		<small>DATE</small> 25/7/18	
<small>PROJECT ENGR</small> PDR		<small>DATE</small> 25/7/18		<small>QUALITY ASSURANCE</small> SPC	
<small>DATE</small> 25/7/18		<small>MANUFACTURING</small> SM		<small>DATE</small> 25/7/18	
<small>SHEET SIZE</small> A3		<small>CADD REF:</small> N/A		<small>SHEET</small> 2 OF 6	

ELDS VZ (Ventilation Zone)
Installation Outline Drawings
Standard Mounting Details

Illustrations of Senscient ELDS Series 2000 Transmitter Unit (Tx) - For Reference only.
A Senscient ELDS Series 2000 system is made up of a Transmitter and Receiver (Receiver not shown)

6

5

4

3

2

1

6

5

4

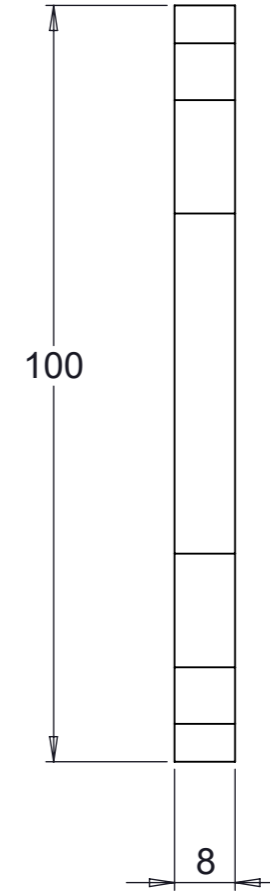
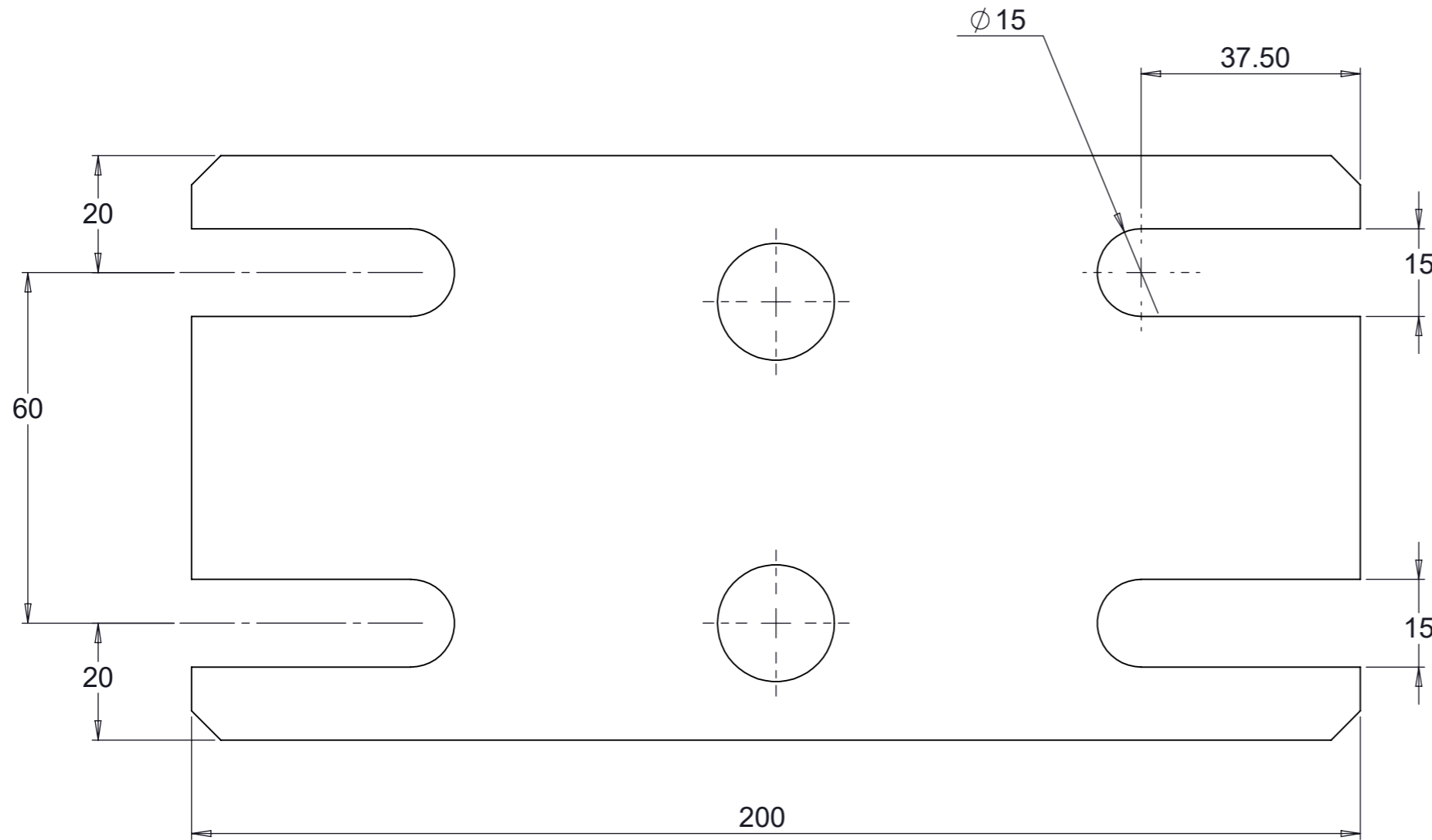
3

2

1

Revisions

Rev 2 - 25/7/18



All Dimensions in mm unless stated

Illustrations of Senscient ELDS Series 2000 Transmitter Unit (Tx) - For Reference only.
A Senscient ELDS Series 2000 system is made up of a Transmitter and Receiver (Receiver not shown)

The Safety Company www.MSAsafety.com		<small>THIS DRAWING IS THE PROPERTY OF MSA/THE SAFETY COMPANY AND IS MADE AVAILABLE TO YOU IN CONFIDENCE AND SUBJECT TO THE FOLLOWING: NO LENDING, NO PERMISSION IS GRANTED TO PUBLIC USE, REPRODUCE, TRANSMIT OR DISCLOSE. THIS DRAWING IS INFORMATION CONTAINED HEREIN IS THE PROPERTY OF MSA/THE SAFETY COMPANY AND IS NOT TO BE REPRODUCED OR TRANSMITTED IN ANY FORM OR BY ANY MEANS, WITHOUT THE PRIOR WRITTEN CONSENT OF MSA/THE SAFETY COMPANY EXCEPT FOR THE MANUFACTURE OF PARTS FOR MSA/THE SAFETY COMPANY COMPANY.</small>			DO NOT SCALE DWG.
MSA STANDARD SHOP PRACTICES APPLY		<small>JOB NO.</small> <small>DRAWN BY</small> PDR <small>DATE</small> 25/7/18	<small>APPROVAL AGENCY CODE</small>	<small>NDSH ATTR. DOC.</small>	
<small>CODE SYMBOLS</small> CRITICAL MAJOR A MAJOR B 100% INSPECTION <small>MINDR (NO MARK)</small> 	<small>QUALITY ASSURANCE</small> SPC 25/7/18	<h2 style="text-align: center;">ELDS VZ (Ventilation Zone) Installation Outline Drawings Mounting Bracket Details</h2>			
<small>METRIC TOLERANCES UNLESS OTHERWISE SPECIFIED (PER ISO 2768-0)</small> 0.5 TO 30mm ± 0.1 30 TO 120mm ± 0.2 120 TO 400mm ± 0.3 400 TO 1000mm ± 0.5 >1000 TO ± 0.8 ANGULAR ± 1/2° <small>SEE MSA STANDARD SHOP PRACTICES FOR DRILLED HOLE TOLERANCES</small>	<small>MANUFACTURING</small> SM 25/7/18				
<small>SHEET SIZE</small> A3		<small>CADD REF: N/A</small>		<small>SHEET</small> 3 OF 6	

6

5

4

3

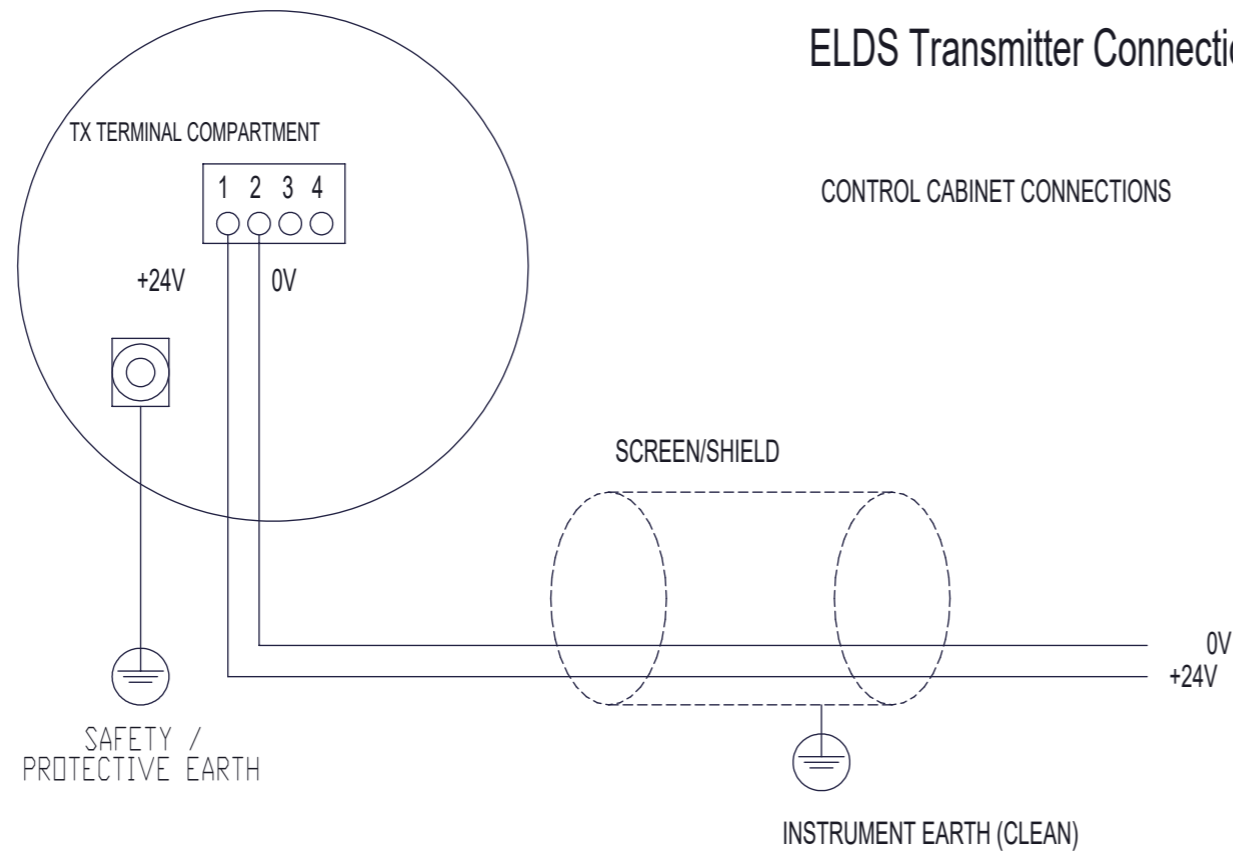
2

1

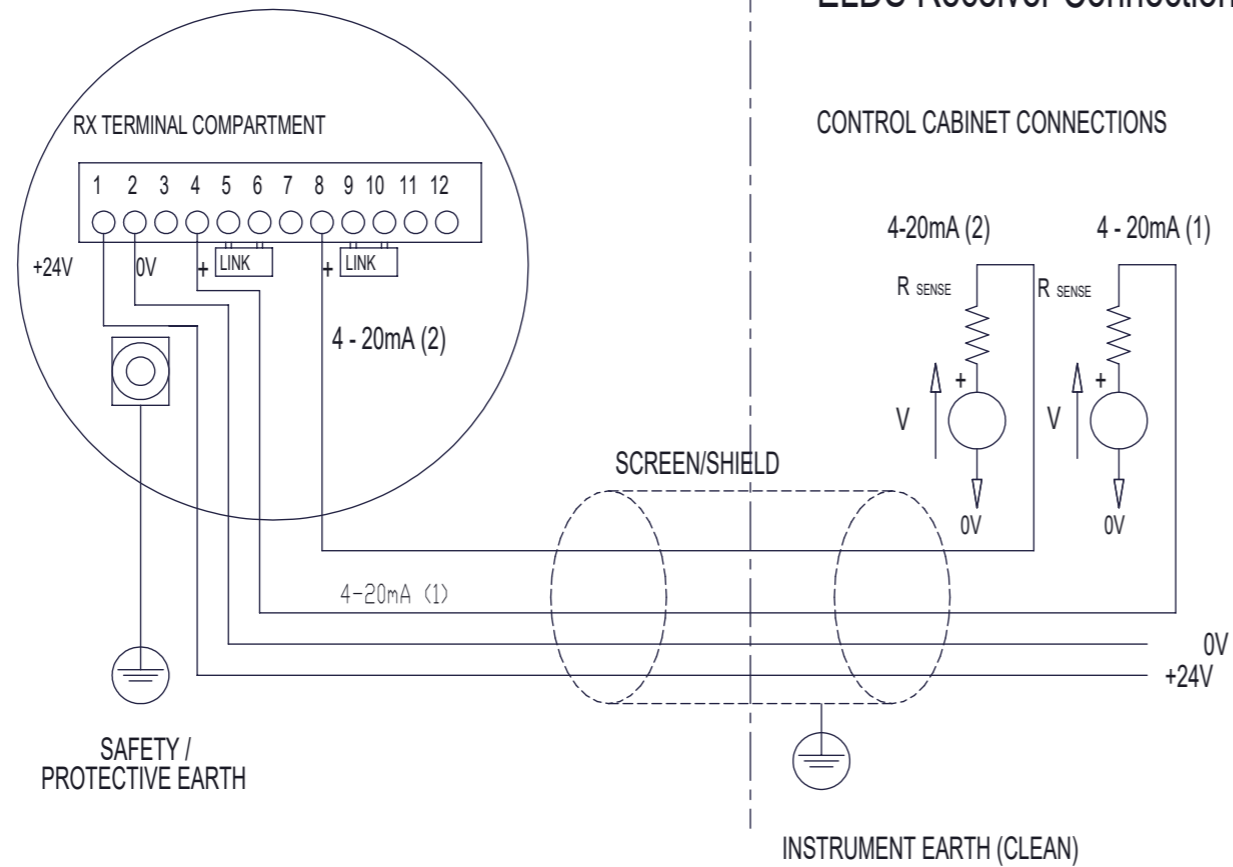
Revisions

Rev 2 - 25/7/18

ELDS Transmitter Connections



ELDS Receiver Connections (Current Sink)



All Dimensions in mm unless stated

		<small>THIS DRAWING IS THE PROPERTY OF MSA - THE SAFETY COMPANY AND IS MADE AVAILABLE TO YOU IN CONFIDENCE AND SUBJECT TO THE FOLLOWING: NO PERMISSION IS GRANTED TO PUBLISH, USE, REPRODUCE, TRANSMIT OR DISCLOSE THIS DRAWING, OR ANY INFORMATION CONTAINED THEREIN TO OTHERS WITHOUT THE PRIOR WRITTEN CONSENT OF MSA - THE SAFETY COMPANY EXCEPT FOR THE MANUFACTURE OF ARTICLES FOR MSA - THE SAFETY COMPANY.</small>				DO NOT SCALE DWG.	
<small>MSA STANDARD SHOP PRACTICES APPLY</small>				<small>APPROVAL AGENCY CODE</small>		<small>NOSH ATTR. DOC.</small>	
CODE SYMBOLS CRITICAL MAJOR A MAJOR B 100% INSPECTION		<small>JOB NO.</small> PDR		<small>DATE</small> 25/7/18		<small>CHECKED BY</small> LPR	
<small>MINDR (NO MARK)</small> 		<small>PROJECT ENGR</small> PDR		<small>DATE</small> 25/7/18		<small>QUALITY ASSURANCE</small> SPC	
<small>METRIC TOLERANCES UNLESS OTHERWISE SPECIFIED (PER ISO 2768-M)</small> 0.5 TO 30mm ± 0.1 30 TO 120mm ± 0.2 120 TO 400mm ± 0.3 400 TO 1000mm ± 0.5 1000 TO 10000mm ± 0.8 ANGULAR ± 1/2° <small>SEE MSA STANDARD SHOP PRACTICES FOR DRILLED HOLE TOLERANCES</small>		<small>MANUFACTURING</small> SM		<small>DATE</small> 25/7/18		<small>CADD REF: N/A</small>	
<small>SHEET SIZE</small> A3		<small>SHEET</small> 4 OF 6		ELDS VZ (Ventilation Zone) Installation Outline Drawings Wiring - Current Sink			

Illustrations of Senscient ELDS Series 2000 Transmitter Unit (Tx) - For Reference only.
A Senscient ELDS Series 2000 system is made up of a Transmitter and Receiver (Receiver not shown)

6

5

4

3

2

1

6

5

4

3

2

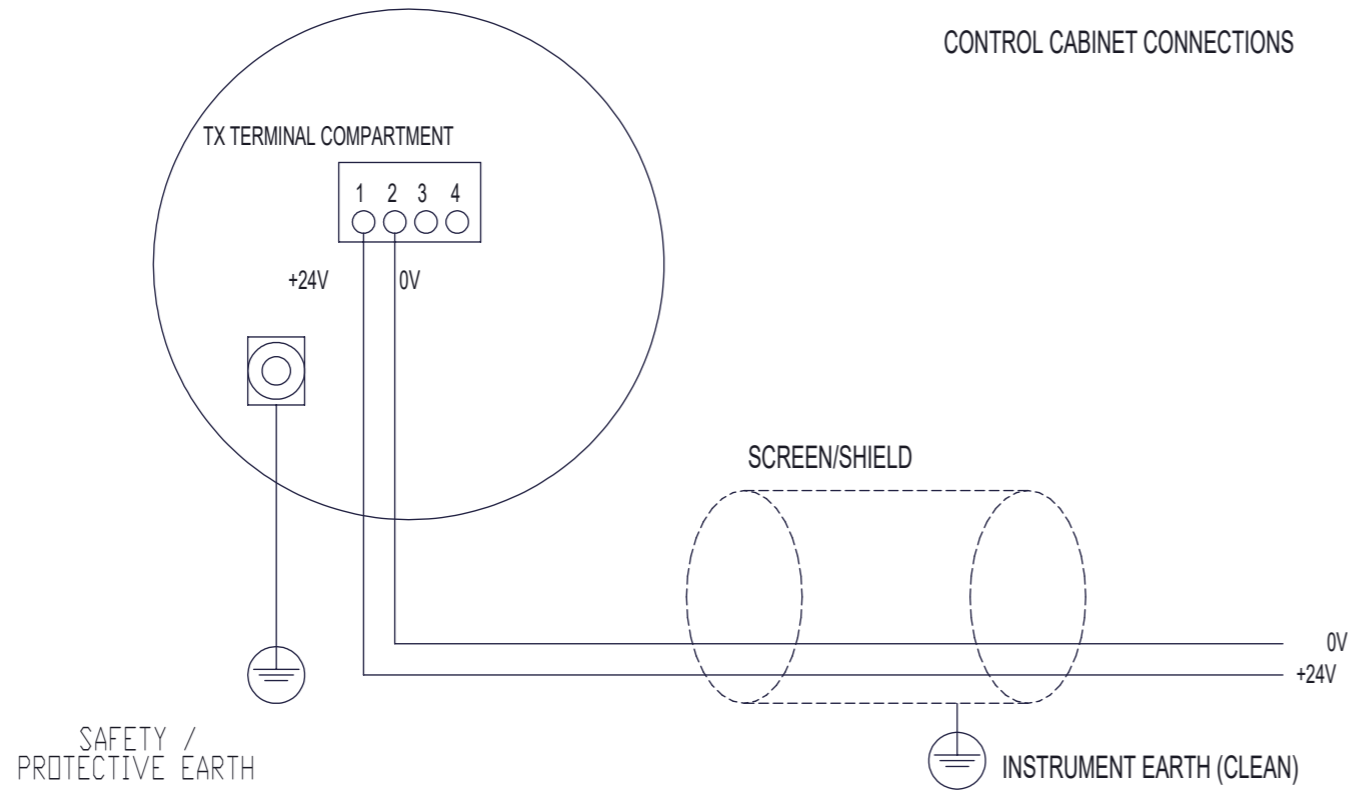
1

Revisions

Rev 2 - 25/7/18

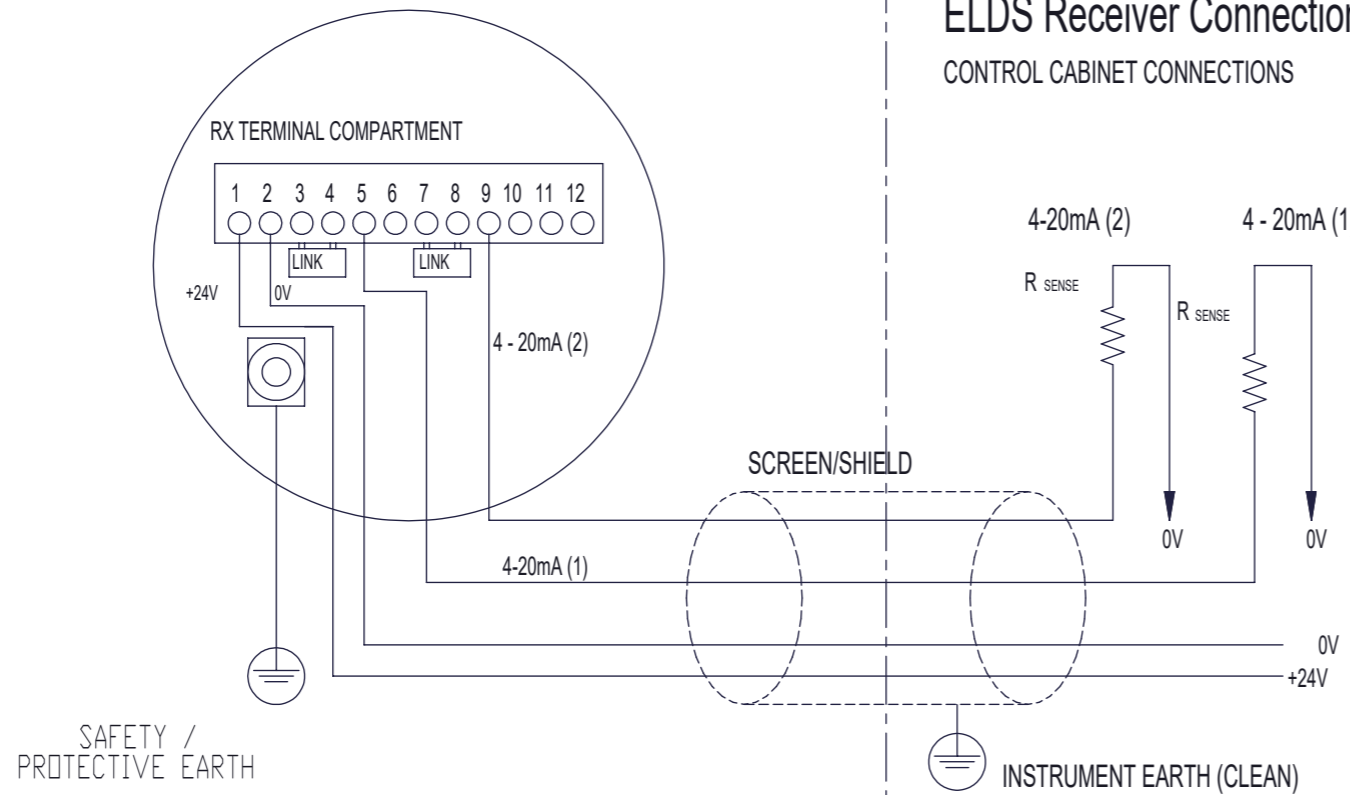
ELDS Transmitter Connections

CONTROL CABINET CONNECTIONS



ELDS Receiver Connections (Current Source)

CONTROL CABINET CONNECTIONS



All Dimensions in mm unless stated

 The Safety Company		www.MSAsafety.com	<small>THIS DRAWING IS THE PROPERTY OF MSA/THE SAFETY COMPANY AND IS MADE AVAILABLE TO YOU IN CONFIDENCE AND SUBJECT TO THE FOLLOWING: NO DISCLOSE, REPRODUCTION, TRANSMITTAL OR REUSE IS PERMITTED WITHOUT THE PRIOR WRITTEN CONSENT OF MSA/THE SAFETY COMPANY EXCEPT FOR THE MANUFACTURE OF PARTS FOR MSA/THE SAFETY COMPANY.</small>	 DO NOT SCALE DWG.
<small>MSA STANDARD SHOP PRACTICES APPLY</small>		<small>JOB NO.</small> <small>DRAWN BY</small> PDR <small>DATE</small> 25/7/18	<small>APPROVAL AGENCY CODE</small> <small>NOSH ATTR. DOC.</small>	<h2 style="text-align: center;">ELDS VZ (Ventilation Zone) Installation Outline Drawings Wiring - Current Source</h2>
<small>CRITICAL</small> <small>MAJOR A</small> <small>MAJOR B</small> <small>100% INSPECTION</small>	<small>MINDR (NO MARK)</small>	<small>CHECKED BY</small> LPR <small>DATE</small> 25/7/18	<small>PROJECT ENGR</small> PDR <small>DATE</small> 25/7/18	
<small>METRIC TOLERANCES UNLESS OTHERWISE SPECIFIED (PER ISO 2768-MS)</small>		<small>QUALITY ASSURANCE</small> SPC <small>DATE</small> 25/7/18	<small>MANUFACTURING</small> SM <small>DATE</small> 25/7/18	
<small>0.5 TO 30mm ± 0.1</small> <small>36 TO 120mm ± 0.2</small> <small>120 TO 400mm ± 0.3</small> <small>400 TO 1000mm ± 0.5</small> <small>ANGULAR ± 1/2°</small> <small>SEE MSA STANDARD SHOP PRACTICES FOR DRILLED HOLE TOLERANCES</small>		<small>SHEET SIZE</small> A3	<small>CADD REF:</small> N/A	
<small>ILLUSTRATIONS OF SENSICENT ELDS SERIES 2000 TRANSMITTER UNIT (TX) - FOR REFERENCE ONLY. A SENSICENT ELDS SERIES 2000 SYSTEM IS MADE UP OF A TRANSMITTER AND RECEIVER (RECEIVER NOT SHOWN).</small>		<small>SHEET</small> 5 OF 6		

Illustrations of Sensicent ELDS Series 2000 Transmitter Unit (Tx) - For Reference only. A Sensicent ELDS Series 2000 system is made up of a Transmitter and Receiver (Receiver not shown).

6

5

4

3

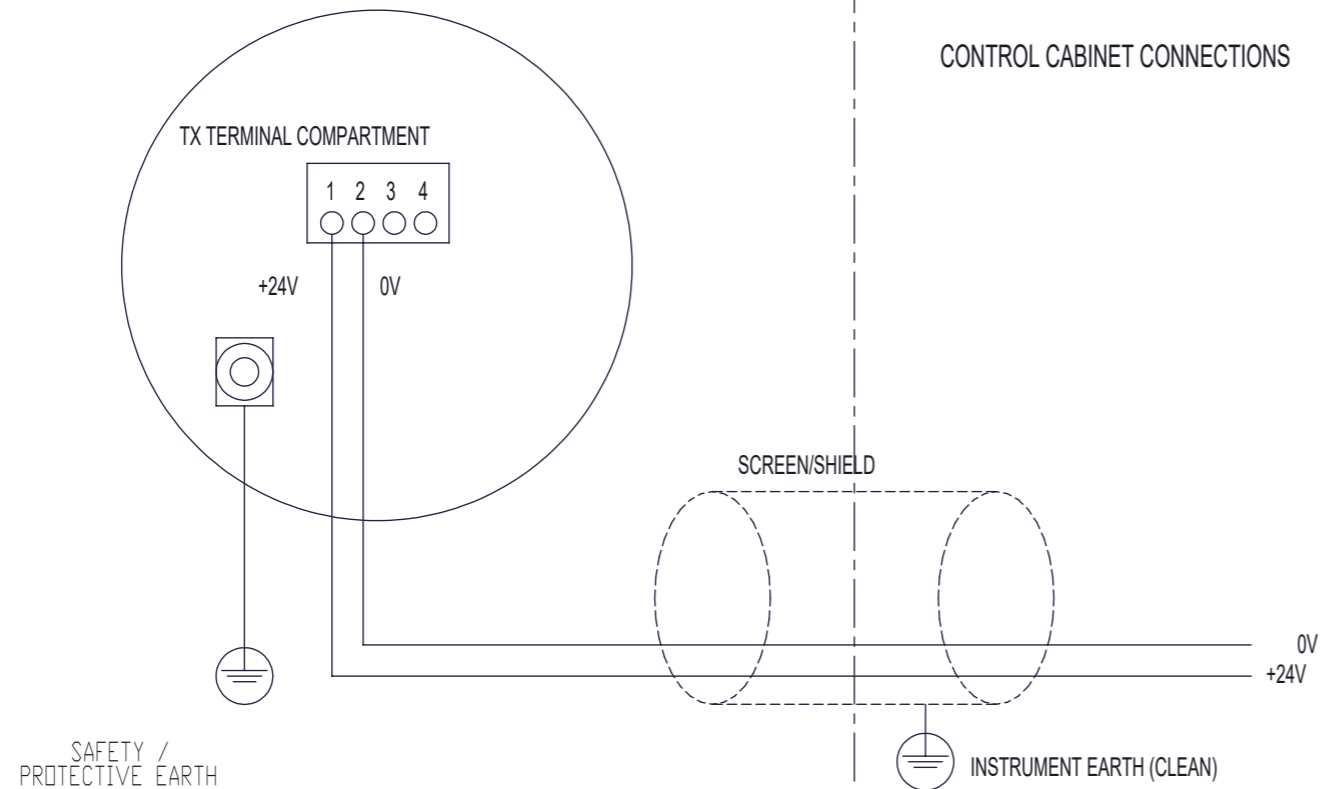
2

1

Revisions	
Rev 2 - 25/7/18	
LIFE CYCLE STATE	REVISION

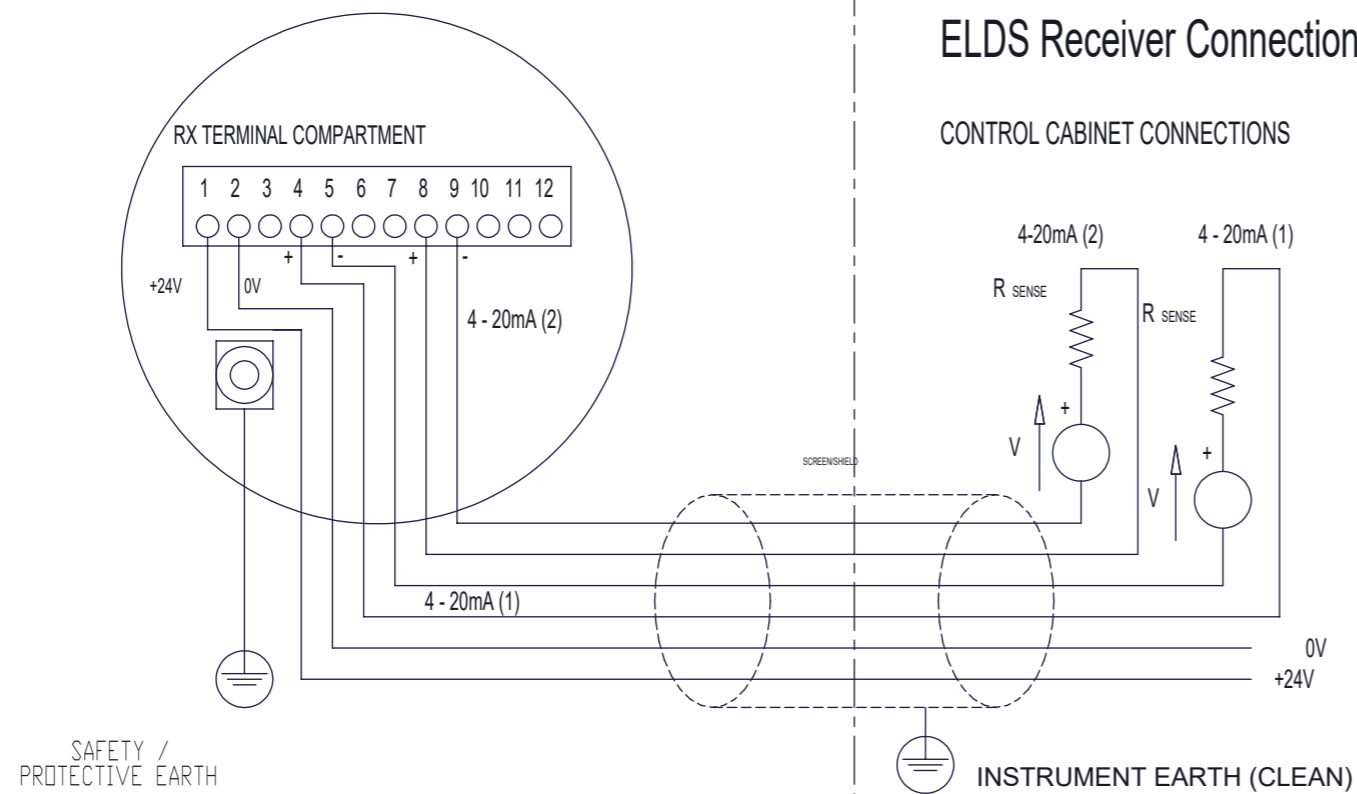
ELDS Transmitter Connections

CONTROL CABINET CONNECTIONS



ELDS Receiver Connections (Isolated Output)

CONTROL CABINET CONNECTIONS



All Dimensions in mm unless stated

 The Safety Company www.MSAafety.com	<small>THIS DRAWING IS THE PROPERTY OF MSA/THE SAFETY COMPANY AND IS MADE AVAILABLE TO YOU IN CONFIDENCE AND SUBJECT TO THE FOLLOWING: NO LENDING, NO PERMISSION IS GRANTED TO PUBLIC USE, REPRODUCE, TRANSMIT OR DISCLOSE. THIS DRAWING OR ANY INFORMATION CONTAINED THEREIN TO OTHERS IN ANY MANNER WITHOUT THE PRIOR WRITTEN CONSENT OF MSA/THE SAFETY COMPANY EXCEPT FOR THE MANUFACTURE OF ARTICLES FOR MSA/THE SAFETY COMPANY COMPANY.</small>		 DO NOT SCALE DWG.
	<small>MSA STANDARD SHOP PRACTICES APPLY</small>	<small>APPROVAL AGENCY CODE</small>	
CODE SYMBOLS CRITICAL MAJOR A MAJOR B 100% INSPECTION MINDR (NO MARK) 100% INSPECTION	<small>JOB NO.</small> PDR	<small>DATE</small> 25/7/18	<h2 style="text-align: center;">ELDS VZ (Ventilation Zone) Installation Outline Drawings Wiring - Current Source</h2>
	<small>CHECKED BY</small> LPR	<small>DATE</small> 25/7/18	
	<small>PROJECT ENGR</small> PDR	<small>DATE</small> 25/7/18	
	<small>QUALITY ASSURANCE</small> SPC	<small>DATE</small> 25/7/18	
	<small>MANUFACTURING</small> SM	<small>DATE</small> 25/7/18	
<small>METRIC TOLERANCES UNLESS OTHERWISE SPECIFIED (PER ISO 2768-MS)</small> 0.5 TO 30mm ± 0.1 30 TO 120mm ± 0.2 120 TO 400mm ± 0.3 400 TO 1000mm ± 0.5 1000 TO 10000mm ± 0.8 ANGULAR ± 1/2° <small>SEE MSA STANDARD SHOP PRACTICES FOR DRILLED HOLE TOLERANCES</small>	<small>SHEET SIZE</small> A3	<small>CADD REF: N/A</small>	<small>SHEET</small> 6 OF 6

Illustrations of Senscient ELDS Series 2000 Transmitter Unit (Tx) - For Reference only.
 A Senscient ELDS Series 2000 system is made up of a Transmitter and Receiver (Receiver not shown)